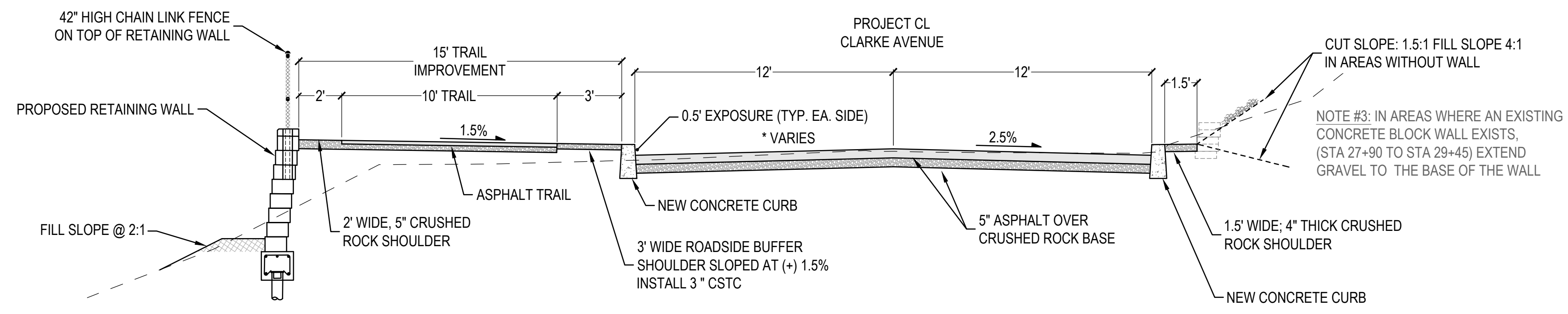
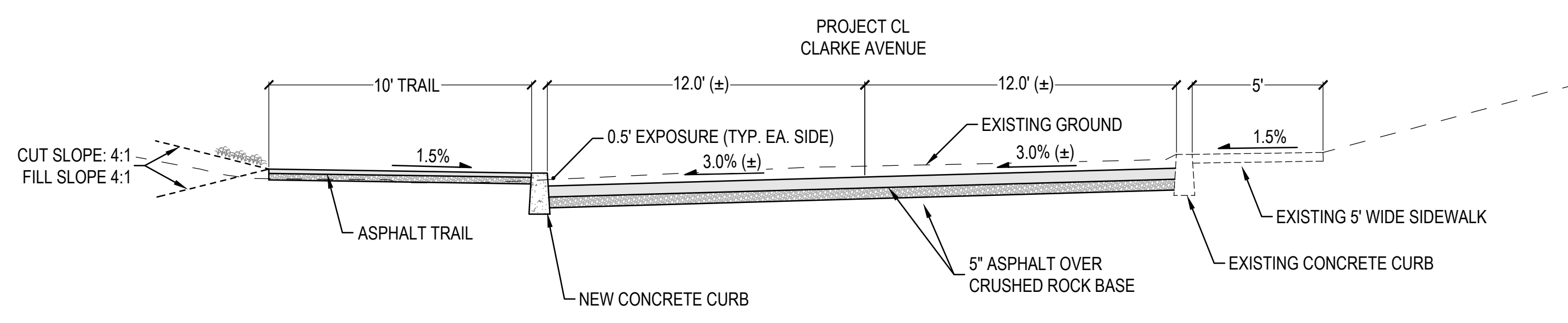


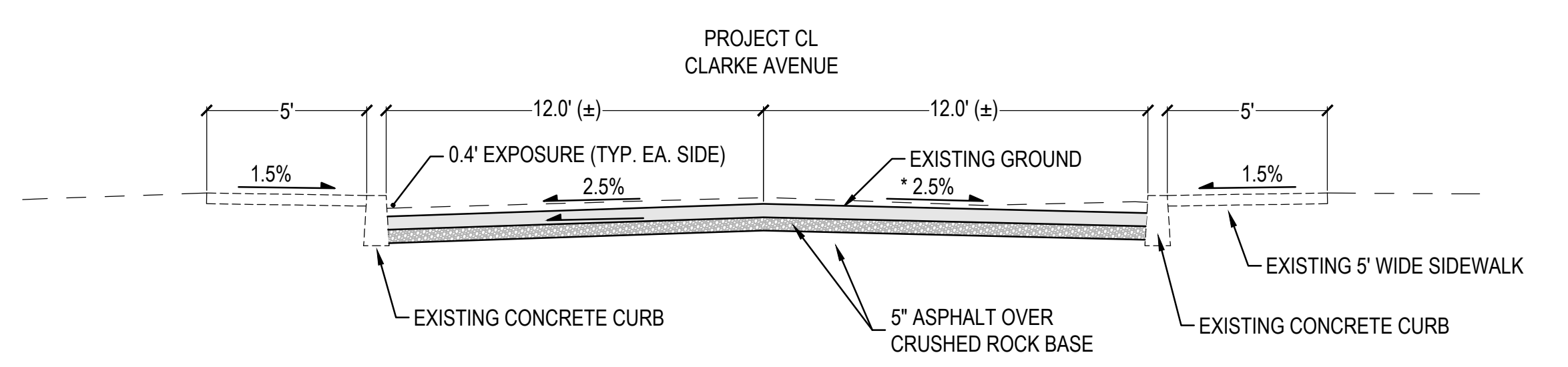
P:\Team2\PROJECTS\Team 2\2019-138 - South Gorge Trail Ph2\03\_CAD\WORLD\05\_PRODUCTION DRAWINGS - DESIGN\2019138\_MA\_Road\_V2\_2020.dwg PLOT DATE: Mar 18, 2020 - 4:19PM



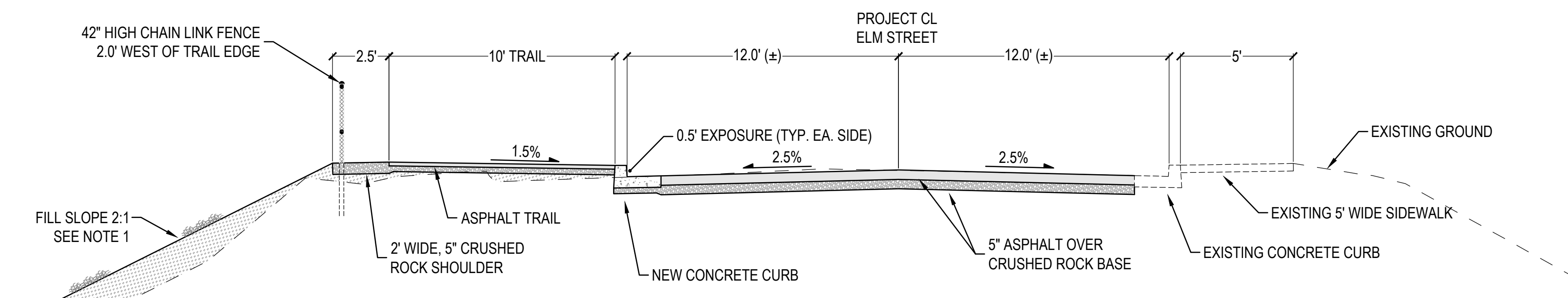
TS TYPICAL ROADWAY SECTION: CLARKE AVE - SPRUCE TO "S-CURVE"  
 LOOKING EAST



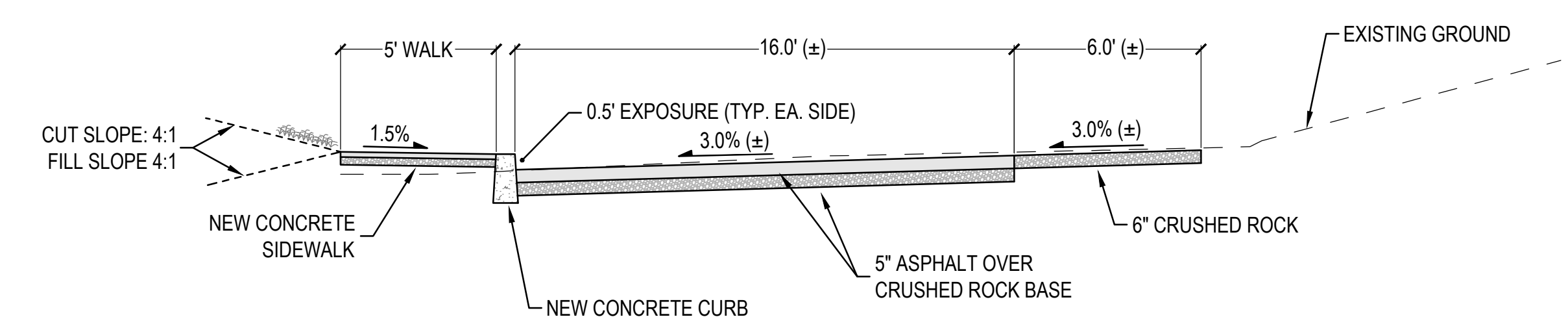
TS TYPICAL ROADWAY SECTION: CLARKE AVE - "S-CURVE" TO ELM ST.  
 LOOKING EAST



TS TYPICAL ROADWAY SECTIONS: CLARKE AVENUE: EAST OF ASH ST.  
 LOOKING EAST



TS TYPICAL ROADWAY SECTION: ELM STREET - CLARKE TO MAIN  
 LOOKING NORTH



TS TYPICAL ROADWAY SECTION: WILSON AVENUE - ASH TO CEDAR  
 LOOKING EAST

**PRELIMINARY ONLY**  
**NOT FOR CONSTRUCTION**

PM-4  
 4 of ??

| DATE | BY | PROJECT | DESCRIPTION |
|------|----|---------|-------------|
|      |    |         |             |

|   |
|---|
| NAVD88 = (OLD CBM ELEV.) - (13.13) AS OF JANUARY, 2000 USE NORTH AMERICAN VERTICAL DATUM OF 1988 (NAVD88) |
| NAVD88 ELEV.: 1755.34   |
| CBM NO.: 2 S 28 W   |
| NAVD88 DATUM  |

|   |
|---|
| BENCH MARK LOCATION: NWLY COR. RIVERSIDE AVE. & "A" ST. 61.8' NE OF MARNE BRIDGE; 36.3' NW OF CL OF RIVERSIDE |
| NOTE: BOOK ELEV. OF 1755.41. PROJECT ELEV =1755.34  |
| SCALE   |
| HORIZONTAL SCALE (22 x 34) PLAN & PROFILE NTS   |
| VERTICAL SCALE (22 x 34) NTS  |

|   |
|---|
| CURRENT C.O.S. DESIGN STANDARDS ADOPTED FEB, 2007 |
| BY: RJS   |
| DATES: 12/2019                                    |
| DRAWN: RJS  |
| APPROVED: RKP                                     |



CITY OF SPOKANE, WASHINGTON  
 DEPARTMENT OF ENGINEERING SERVICES  
 808 WEST SPOKANE FALLS BLVD. SPOKANE, WASHINGTON 99201-3343 (509) 625-6700

|   |                                 |
|---|---------------------------------|
| PROJECT NAME: SOUTH GORGE TRAIL PH. 2 & CSO 22B BASIN | TYPE OF IMPROVEMENT: DETAIL     |
| SEGMENT LIMITS: PROPOSED TYPICAL SECTIONS             | PROJECT NO. 2019138/2018111     |
| PROJECT LIMITS: SPRUCE TO CEDAR/WILSON TO WATER       | PLAN NO. CLARK V (2) 3 13-25-42 |