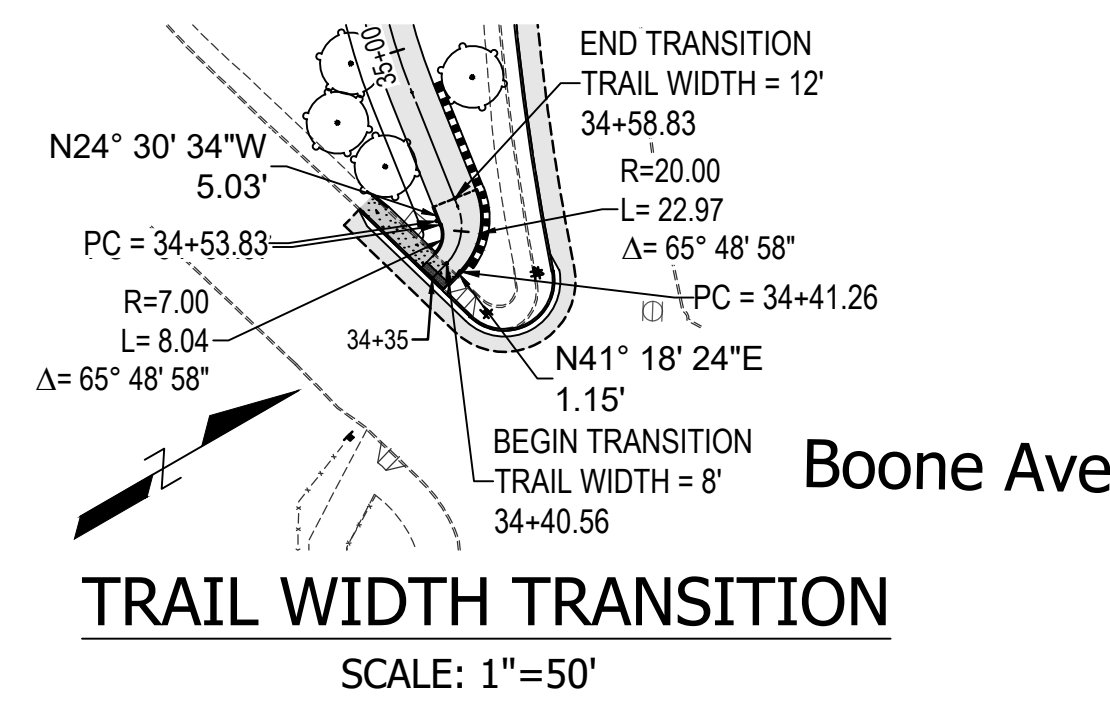
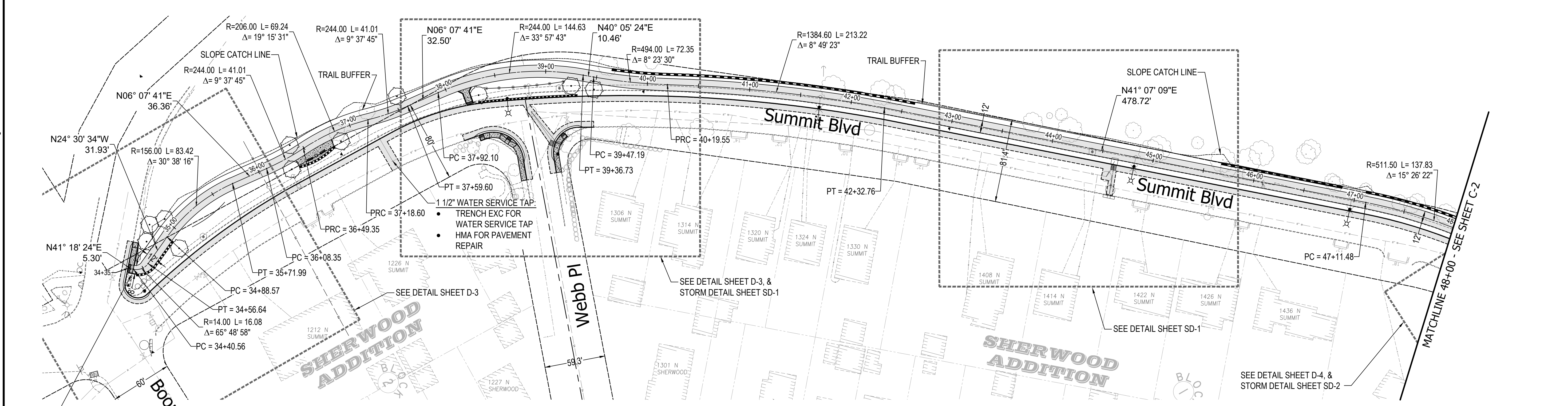
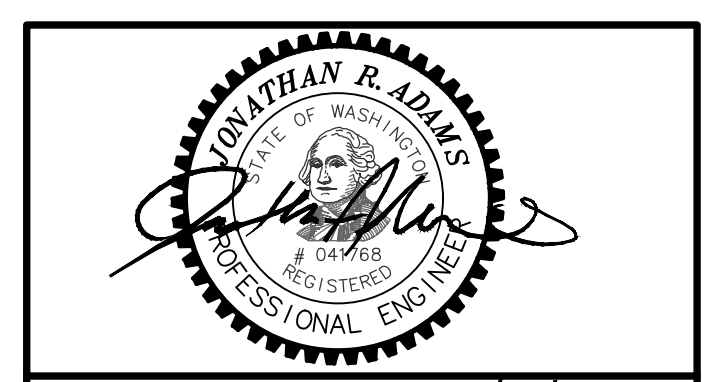


ELEVATIONS ARE TO NAVD88 DATUM

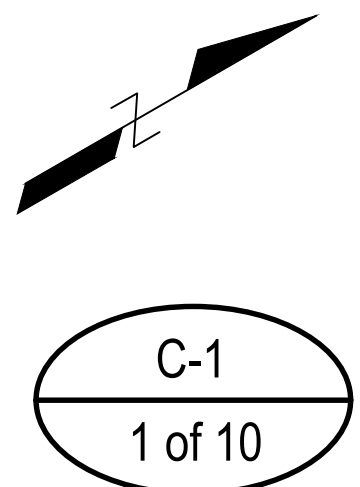


NOTES:

- ADJUST ALL MANHOLE LIDS, VAULT ACCESS LIDS, VALVE LIDS, GRATES, & MONUMENTS TO FINISHED GRADE
 - THE UNDERGROUND UTILITIES SHOWN HAVE BEEN LOCATED AS ACCURATELY AS POSSIBLE FROM FIELD SURVEY AND EXISTING DRAWINGS. CITY OF SPOKANE MAKES NO GUARANTEES THAT THE UNDERGROUND UTILITIES COMPRISE ALL SUCH UTILITIES IN THE AREA, EITHER IN SERVICE OR ABANDONED. IN ADDITION, WE DO NOT GUARANTEE THAT THE UNDERGROUND UTILITIES SHOWN ARE IN THE EXACT LOCATION OR DEPTH INDICATED.
 - THE ENGINEER RESERVES THE RIGHT TO MAKE MINOR MODIFICATIONS TO THE LOCATION, DEPTH, GRADE, AND SIZE TO THE PROPOSED STREET SYSTEM.
 - ACTUAL ASPHALT LIMITS SHALL BE AS DESIGNATED BY FIELD ENGINEER
- * ALL DISTURBED AREAS ARE TO BE HYDROSEEDDED OR SODDED PER SECTION 8-02



DATE: 12/14/2020



REVISIONS		NAVD88 = (OLD CBM ELEV.) - (13.13) AS OF JANUARY, 2000 USE NORTH AMERICAN VERTICAL DATUM OF 1988 (NAVD88)		BENCH MARK LOCATION: SUMMIT BLVD & "A" ST SW COR, 27.0' WWC, 1.7' SSC		CURRENT C.O.S. DESIGN STANDARDS ADOPTED FEB, 2007		CITY OF SPOKANE		CITY OF SPOKANE, WASHINGTON DEPARTMENT OF ENGINEERING SERVICES 808 WEST SPOKANE FALLS BLVD. SPOKANE, WASHINGTON 99201-3343 (509) 625-6700		PROJECT NAME: CENTENNIAL TRAIL - SUMMIT BLVD GAP - BOONE TO PETTET	
		NAVD88 ELEV.: 1892.250	SCALE IN FEET		SCALE		BY: TVS / JJK		DATES: 12/2020		SEGMENT LIMITS: SUMMIT BLVD BOONE AVE TO WEBB PL		
		CBM NO.: 24N 28W	SCALE: 1"=50'		SCALE: 1"=10'		DRAWN: TVS / JJK		APPROVED: JRA		TYPE OF IMPROVEMENT: TRAIL		
		NAVD88 DATUM	SCALE: 1"=50'		SCALE: 1"=10'		APPROVED: JRA		DATE: 12/2020		PROJECT NO.: 2017080		
DATE		BY		PROJECT DESCRIPTION		HORIZONTAL SCALE (22 x 34)		VERTICAL SCALE (22 x 34)		PROJECT LIMITS: BOONE AVE TO PETTET DR		PLAN NO.: SUMMI B(01)1	

P:\Team4\PROJECTS\TEAM 4-ACTIVE\2017080 Centennial Trail - Summit Gap-Boone to Pettit\03_CAD WORLD\02_PRODUCTION DRAWINGS - DESIGN\2017080_MA_R20-JK.dwg PLOT DATE: Dec 15, 2020 - 2:38PM