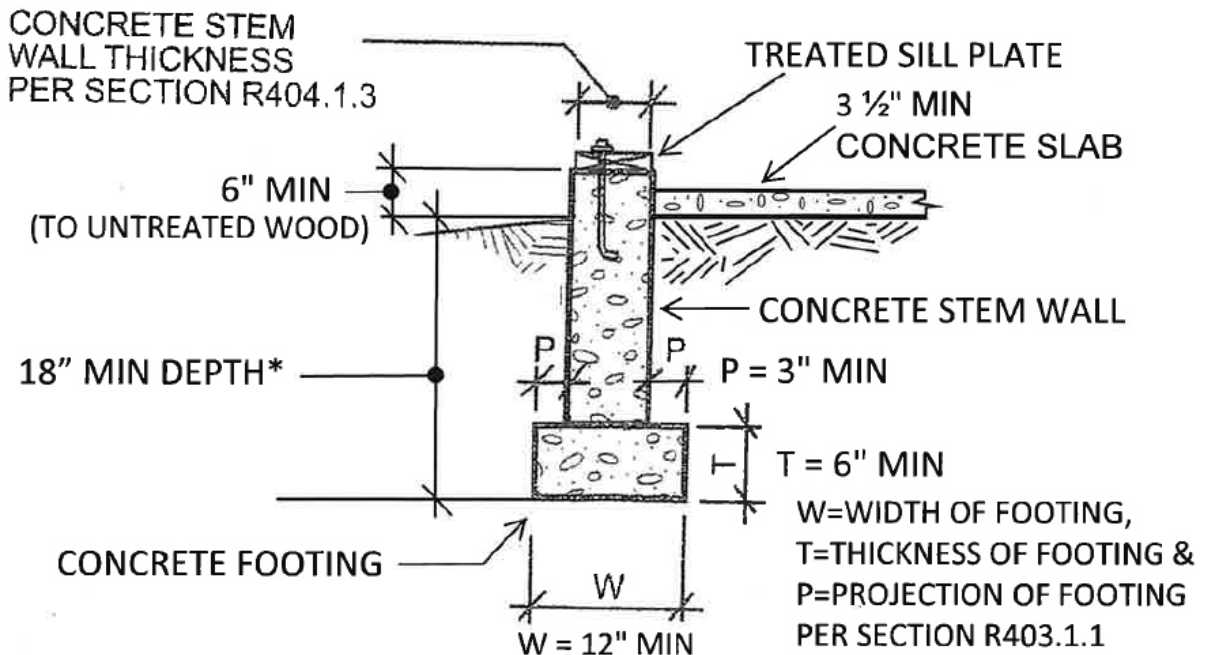
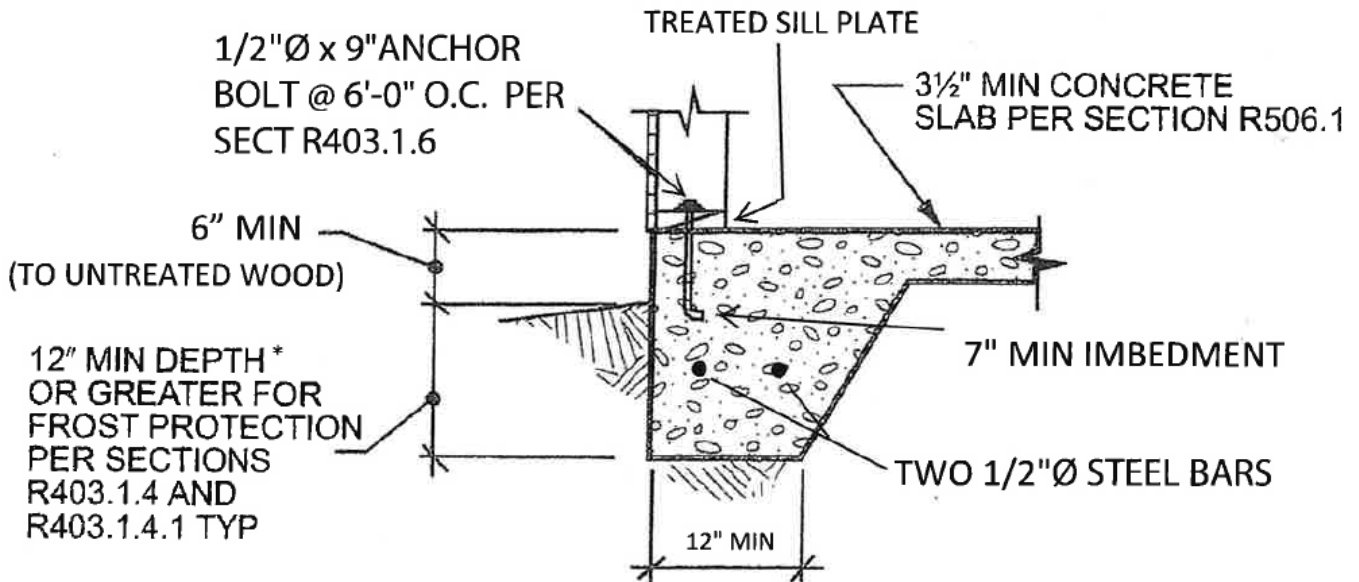


**TYPICAL FOOTING AND FOUNDATION DETAILS  
FOR SINGLE STORY ACCESSORY STRUCTURES UNDER 600 SF**



**DETACHED SINGLE STORY ACCESSORY BUILDINGS UNDER 600 SF** R403.1.4.1 Ex 1

\* BUILDINGS WITH FOOTINGS LESS THAN 24" BELOW GRADE CAN NEVER BE CONVERTED TO HABITABLE SPACES.