

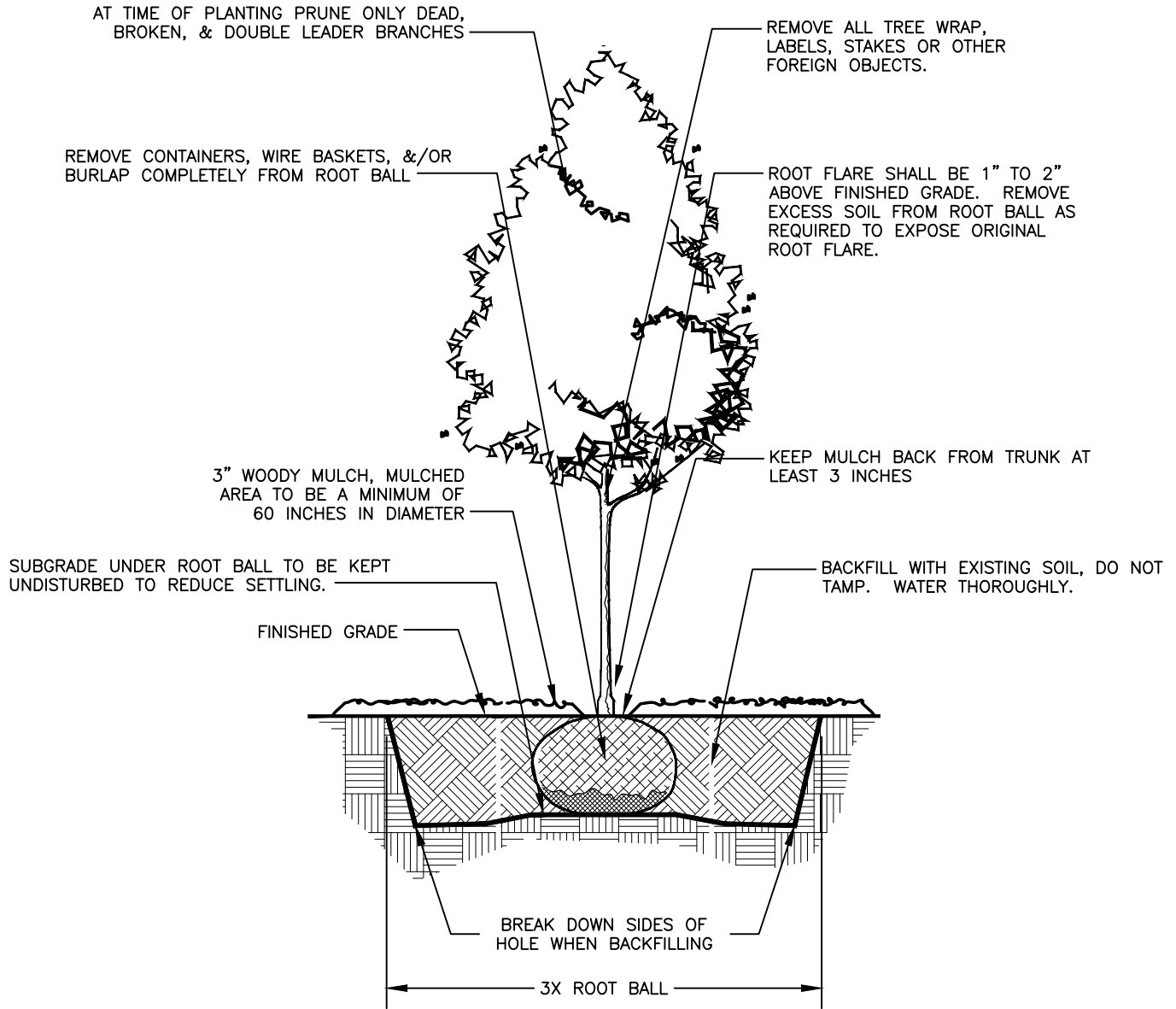
TABLE OF CONTENTS

CITY OF SPOKANE STANDARD PLANS – SECTION V

X-### = Revised Standard Plan
***X-### = New Standard Plan

[Back to Main TOC](#)

<u>Plan No.</u>	<u>Plan Title</u>	<u>Current Plan Date</u>
V-101	Tree Planting Details All Types, Forms, and Species	4/24
V-102	Shrub Planting Details All Types, Forms, and Species	5/15
V-103	Irrigation System Details	2/86
V-104	2” and Smaller Meter/Backflow Assembly for Irrigation Systems	8/19



NOTES:

1. TREES BURIED TOO DEEP, OR WITHOUT EXPOSING ROOT FLARE WILL BE REJECTED & SHALL BE REMOVED & REPLANTED AT PROPER DEPTH.
2. ALL 'ADVENTITIOUS ROOTS' AND 'SUCKERS' SHALL BE PRUNED AWAY PRIOR TO PLANTING.
3. DEVIATIONS FROM THIS DETAIL SHALL ONLY BE ALLOWED WITH PERMISSION FROM THE CITY ARBORIST.
4. TREES NOT PLANTED IN CONFORMITY WITH THIS DETAIL WILL BE REJECTED BY THE CITY ARBORIST. REPLACEMENT OF REJECTED TREES WILL BE DONE AT THE CONTRACTOR'S EXPENSE & NOT BY THE CITY OF SPOKANE.
5. LOCATIONS OF TREES TO MEET THE REQUIREMENTS OF DESIGN STANDARDS 3.4-6.
 ≥ 10 FT TO EDGE OF SINGLE FAMILY RESIDENTIAL DRIVEWAYS, ≥ 15 FT TO EDGE OF COMMERCIAL OR MULTI-FAMILY DRIVEWAYS, ≥ 20 FT TO STREET LUMINAIRE, ≥ 10 FT TO HYDRANTS AND UTILITY POLES, ≥ 15 FT TO UNDERGROUND DUCT OR PIPE, ≥ 5 FT FROM CURB CUT FOR DRAINAGE, ≥ 20 FT FROM DRYWELL, AND AS REQUIRED TO PROVIDE ADEQUATE CLEAR SIGHT TRIANGLE.
6. AFTER PLANTING, IF TREES ARE UNSTABLE, STAKING MAY BE USED BUT ONLY AS NECESSARY. AT 6 MONTHS, ALL STAKING MATERIAL SHALL BE REMOVED. IF TREE IS STILL UNSTABLE, AFTER 6 MONTHS, TREE MAY NEED TO BE REPLACED.

APPROVED BY

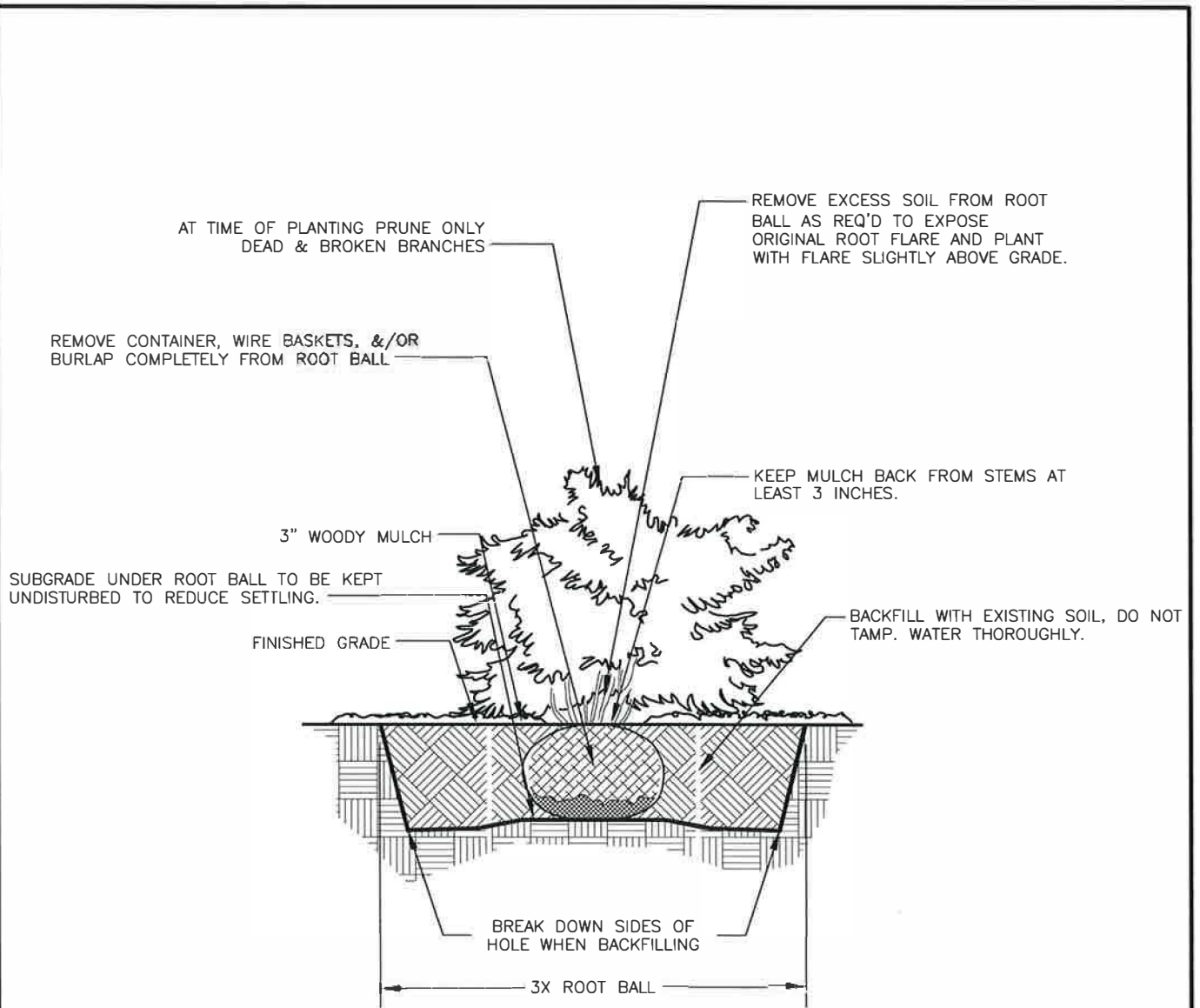
 DIRECTOR OF ENGINEERING SERVICES DAN BULLER, P.E.

ADOPTED: _____
 REVISED: 04/2024
 SUPERSEDES: 05/2015
 CHECKED BY: SJS
 SCALE: NTS
 REVISED BY: MLD

TREE PLANTING DETAILS
 ALL TYPES, FORMS, AND SPECIES

ENGINEERING SERVICES
 CITY OF SPOKANE, WASHINGTON

STANDARD
 PLAN No.
V-101

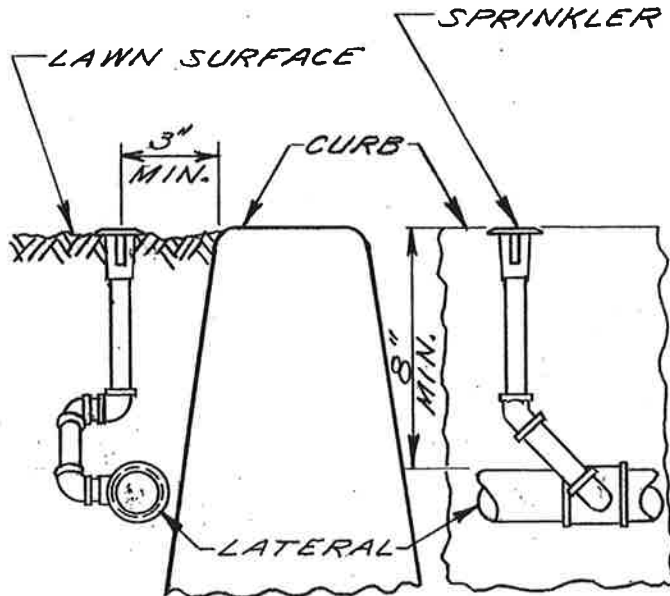


NOTES:

1. SHRUBS BURIED TOO DEEP, OR WITHOUT EXPOSING ROOT FLARE WILL BE REJECTED & SHALL BE REMOVED & REPLANTED AT PROPER DEPTH.
2. DEVIATIONS FROM THIS DETAIL SHALL ONLY BE ALLOWED WITH PERMISSION FROM THE CITY ARBORIST.
3. SHRUBS NOT PLANTED IN CONFORMITY WITH THIS DETAIL WILL BE REJECTED BY THE CITY ARBORIST. REPLACEMENT OF REJECTED SHRUBS WILL BE DONE AT THE CONTRACTOR'S EXPENSE & NOT BY THE CITY OF SPOKANE.

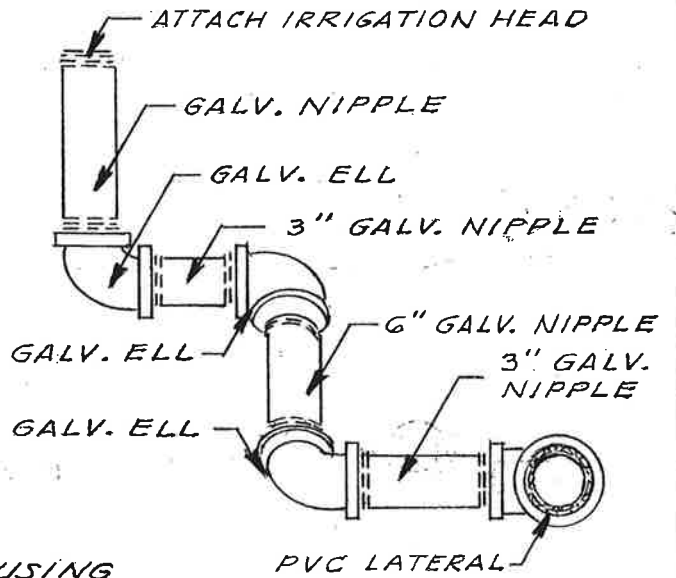
<p style="text-align: center;">APPROVED BY</p> <div style="text-align: center;"> <p>ENGINEERING OPERATIONS MANAGER KYLE TWOHIG</p> </div> <div style="text-align: center; margin-top: 10px;"> <p>PRINCIPAL ENGINEER, CONST. KENNETH M. BROWN, P.E.</p> </div>	<p>ADOPTED: 2/1986 REVISED: 05/2015 SUPERSEDES: 04/2012 CHECKED BY: SJS SCALE: NTS REVISED BY: MLD</p>	<p>SHRUB PLANTING DETAILS ALL TYPES, FORMS AND SPECIES</p> <div style="display: flex; justify-content: space-between; align-items: center;"> <div style="text-align: center;"> <p>ENGINEERING SERVICES CITY OF SPOKANE, WASHINGTON</p> </div> <div style="text-align: right;"> <p>STANDARD PLAN No. V-102</p> </div> </div>
---	---	--

NOTE: STREET ELBOWS AND CLOSE NIPPLES WILL NOT BE ALLOWED.

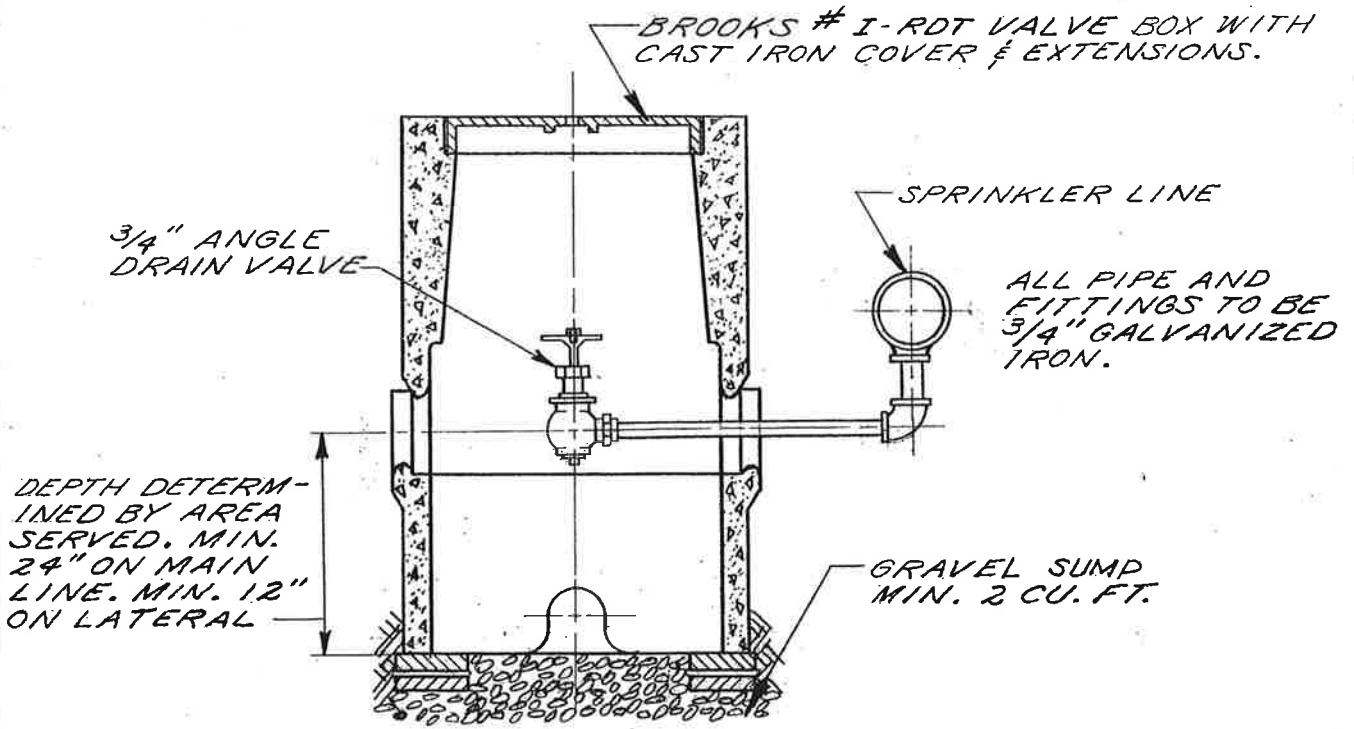


ALL RISERS TO BE MADE UP USING 1/2" GALVANIZED PIPE AND FITTINGS

POP-UP SPRINKLER DETAIL



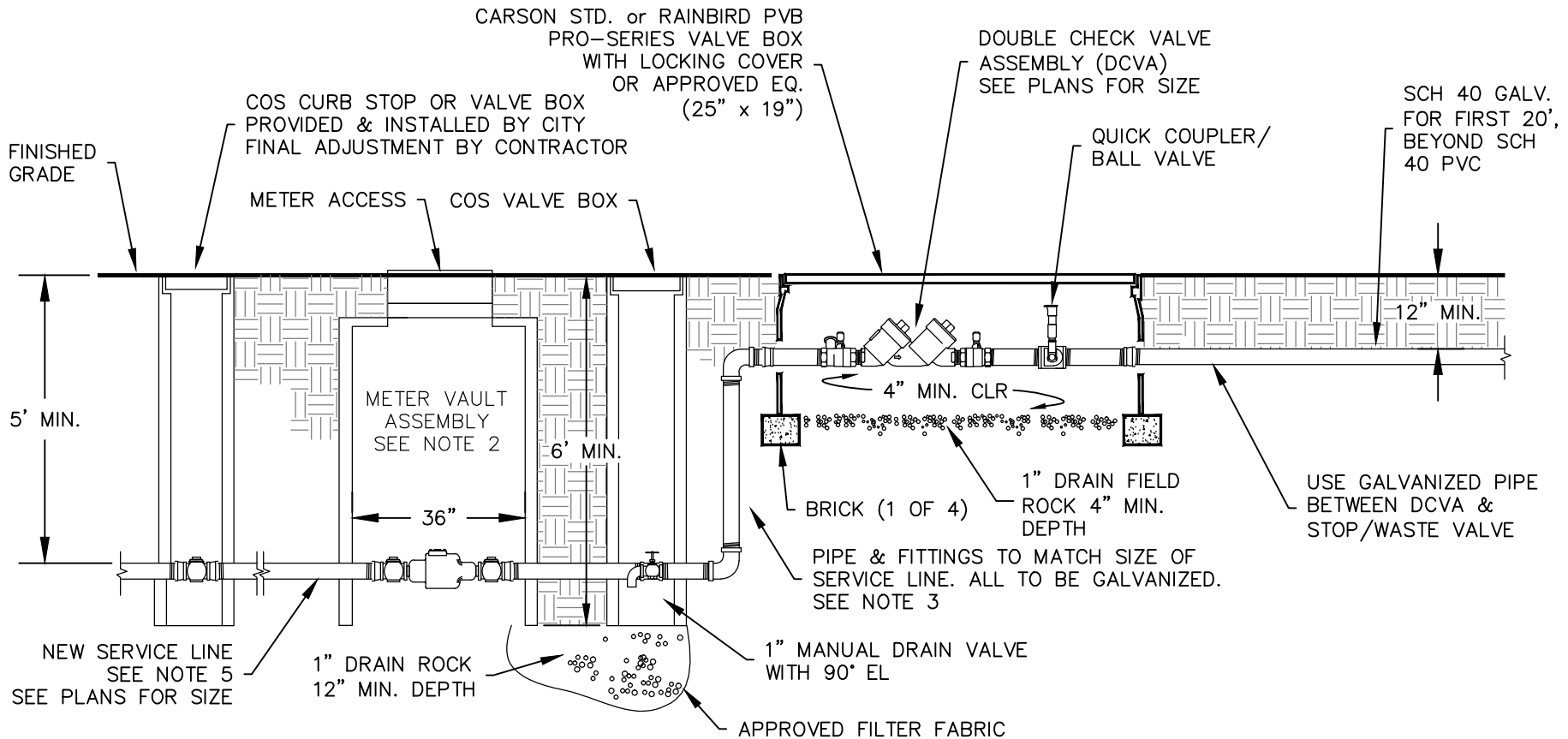
TRIPLE SWING JOINTS



DEPTH DETERMINED BY AREA SERVED. MIN. 24" ON MAIN LINE. MIN. 12" ON LATERAL



DRAIN VALVE DETAIL

APPROVED BY	SCALE <u>NONE</u>	IRRIGATION SYSTEM DETAILS	
CITY ENGR. <i>Bea & Son</i>	ADOPTED <u>2-86</u>	DEPT. OF PUBLIC WORKS ENGR. DIVISION SPOKANE, WN.	STANDARD PLAN No. V-103
CH. DES. ENGR. <i>Samuel</i>	REVISED -----		



NOTES:

1. CONTRACTOR IS TO PROVIDE ALL EXCAVATION AND BACKFILL FOR CITY FORCES TO SUPPLY AND INSTALL, UPON PAYMENT OF FEES, THE TAPPING SADDLE, CORP STOP, SERVICE LINE, CURB STOP, METER VAULT, METER & ISOLATION VALVES INSIDE METER VAULT. TRENCH EXCAVATION AND BACKFILL PAID UNDER BID ITEM TRENCH EXCAVATION FOR WATER SERVICE TAP.
2. CONTRACTOR IS FULLY RESPONSIBLE FOR FURNISHING AND INSTALLING ALL PIPE & FITTINGS DOWNSTREAM OF THE METER VAULT.
3. ALL PIPE & FITTINGS DOWNSTREAM OF THE METER TO THE MAINLINE TO BE GALVANIZED SCH. 40.
4. CITY TO SUPPLY AND INSTALL PRV INSIDE OF METER VAULT WHERE PRESSURES EXCEED 80 PSI.
5. SEE IRRIGATION DESIGN GUIDELINES FOR ADDITIONAL INSTALLATION INFORMATION.

<p>APPROVED BY</p>  <p>ENGINEERING SERVICES DIRECTOR KYLE TWOHIG</p>	<p>ADOPTED: _____</p> <p>REVISED: <u>08/2019</u></p> <p>SUPERSEDES: <u>01/2017</u></p> <p>CHECKED BY: <u>DAB</u></p> <p>SCALE: <u>NTS</u></p> <p>DWG/REV. BY: <u>RJS/MLD</u></p>	<p>2" AND SMALLER METER/BACKFLOW ASSEMBLY FOR IRRIGATION SYSTEMS</p>
<p>CITY ENGINEER DAN BULLER, P.E.</p>	 <p>ENGINEERING SERVICES CITY OF SPOKANE, WASHINGTON</p>	<p>STANDARD PLAN No. V-104</p>