

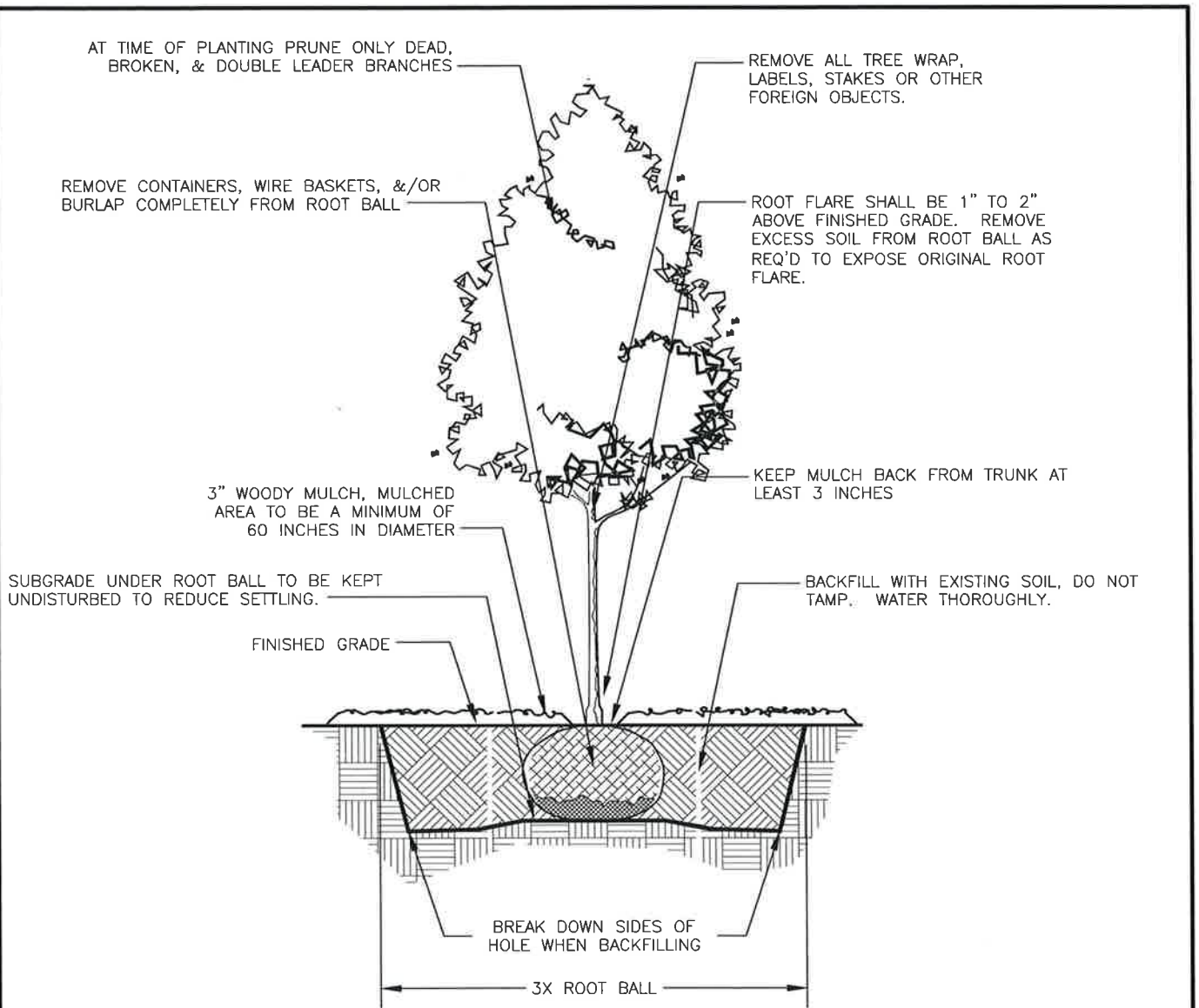
TABLE OF CONTENTS

CITY OF SPOKANE STANDARD PLANS – SECTION V

- B-101B = Revised Standard Plan
- ***W-108A = New Standard Plan
- #A-1 = Renumbered Standard Plan

[Back to Main TOC](#)

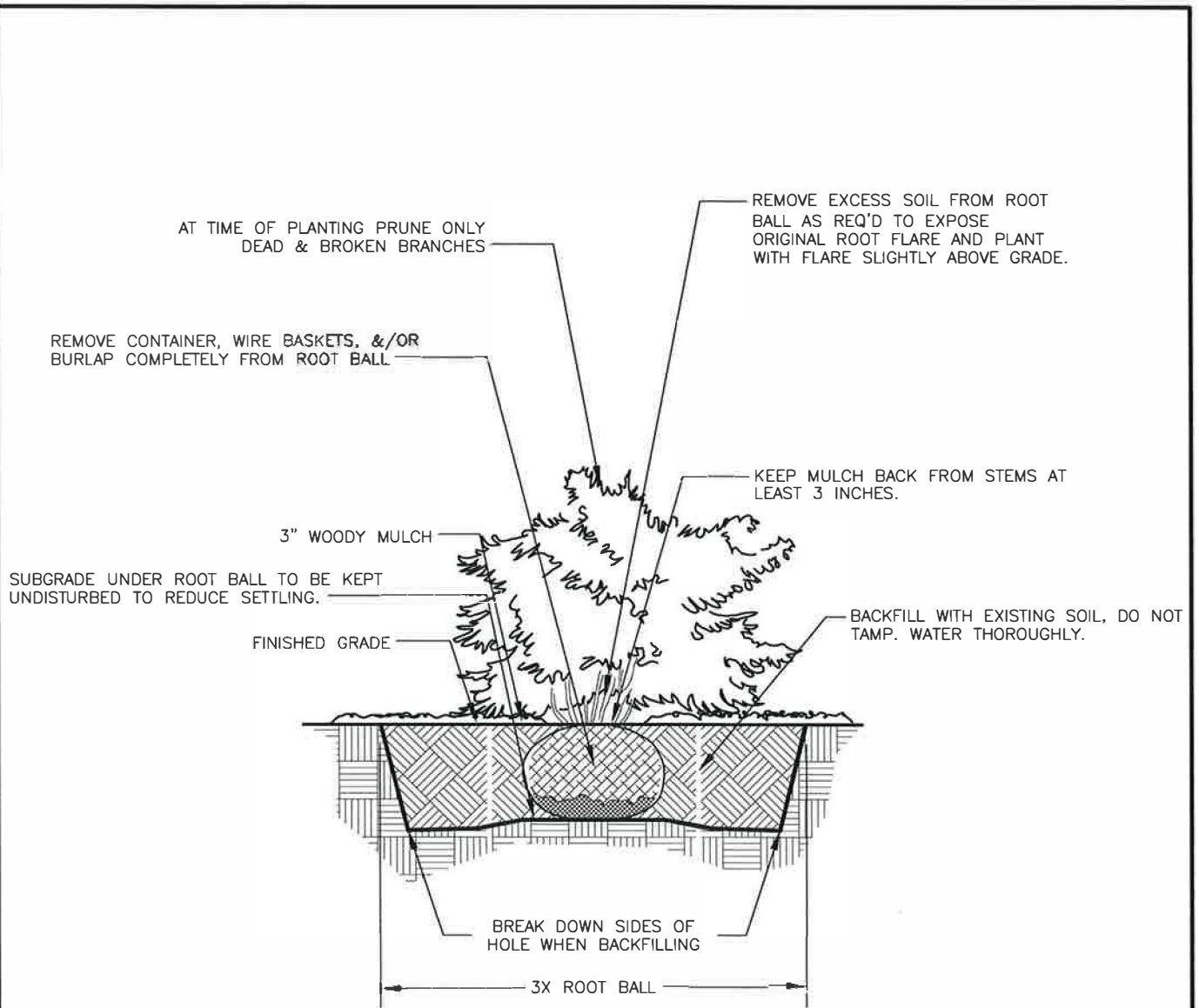
<u>Plan No.</u>	<u>Plan Title</u>	<u>Current Plan Date</u>
V-101	Tree Planting Details All Types, Forms, and Species	5/15
V-102	Shrub Planting Details All Types, Forms, and Species	5/15
V-103	Irrigation System Details	2/86
V-104	2" and Smaller Meter/Backflow Assembly for Irrigation Systems	8/19



NOTES:

1. TREES BURIED TOO DEEP, OR WITHOUT EXPOSING ROOT FLARE WILL BE REJECTED & SHALL BE REMOVED & REPLANTED AT PROPER DEPTH.
2. ALL 'ADVENTITIOUS ROOTS' AND 'SUCKERS' SHALL BE PRUNED AWAY PRIOR TO PLANTING.
3. DEVIATIONS FROM THIS DETAIL SHALL ONLY BE ALLOWED WITH PERMISSION FROM THE CITY ARBORIST.
4. TREES NOT PLANTED IN CONFORMITY WITH THIS DETAIL WILL BE REJECTED BY THE CITY ARBORIST. REPLACEMENT OF REJECTED TREES WILL BE DONE AT THE CONTRACTOR'S EXPENSE & NOT BY THE CITY OF SPOKANE.
5. LOCATIONS OF TREES TO MEET THE REQUIREMENTS OF DESIGN STANDARDS 3.5-2. ≥ 15 FT FROM DRIVEWAYS, ≥ 10 FT FROM DRAINAGE INLETS, ≥ 20 FT FROM DRYWELLS, NOT OBSTRUCT TRAFFIC SIGNS OR SIGHT TRIANGLES, AND 15 FT FROM UNDERGROUND UTILITIES
6. AFTER PLANTING, IF TREES ARE UNSTABLE, STAKING MAY BE USED BUT ONLY AS NECESSARY. AT 6 MONTHS, ALL STAKING MATERIAL SHALL BE REMOVED. IF TREE IS STILL UNSTABLE, AFTER 6 MONTHS, TREE MAY NEED TO BE REPLACED.

<p style="text-align: center;">APPROVED BY</p> <p style="text-align: center;">ENGINEERING OPERATIONS MANAGER KYLE TWOHIG</p>	<p>ADOPTED: 2/1986 REVISED: 05/2015 SUPERSEDES: 04/2012 CHECKED BY: SJS SCALE: NTS REVISED BY: MLD</p>	<p>TREE PLANTING DETAILS ALL TYPES, FORMS AND SPECIES</p>	
<p>PRINCIPAL ENGINEER, CONST. KENNETH M. BROWN, P.E.</p>		<p>ENGINEERING SERVICES CITY OF SPOKANE, WASHINGTON</p>	<p>STANDARD PLAN No. V-101</p>

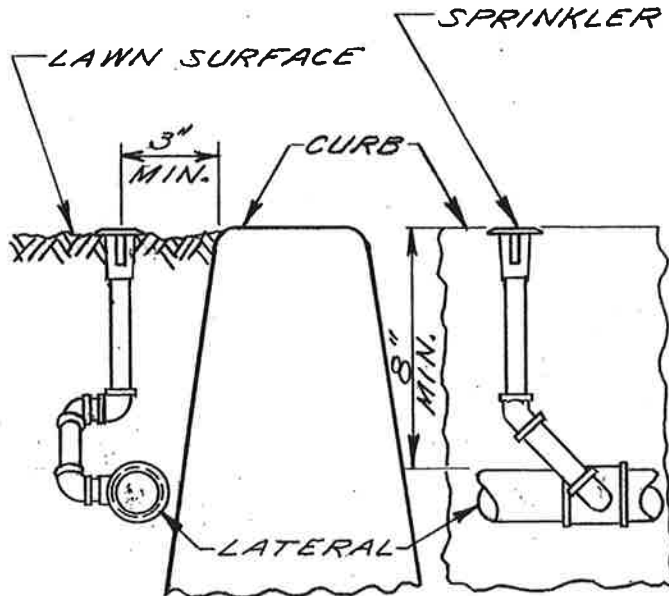


NOTES:

1. SHRUBS BURIED TOO DEEP, OR WITHOUT EXPOSING ROOT FLARE WILL BE REJECTED & SHALL BE REMOVED & REPLANTED AT PROPER DEPTH.
2. DEVIATIONS FROM THIS DETAIL SHALL ONLY BE ALLOWED WITH PERMISSION FROM THE CITY ARBORIST.
3. SHRUBS NOT PLANTED IN CONFORMITY WITH THIS DETAIL WILL BE REJECTED BY THE CITY ARBORIST. REPLACEMENT OF REJECTED SHRUBS WILL BE DONE AT THE CONTRACTOR'S EXPENSE & NOT BY THE CITY OF SPOKANE.

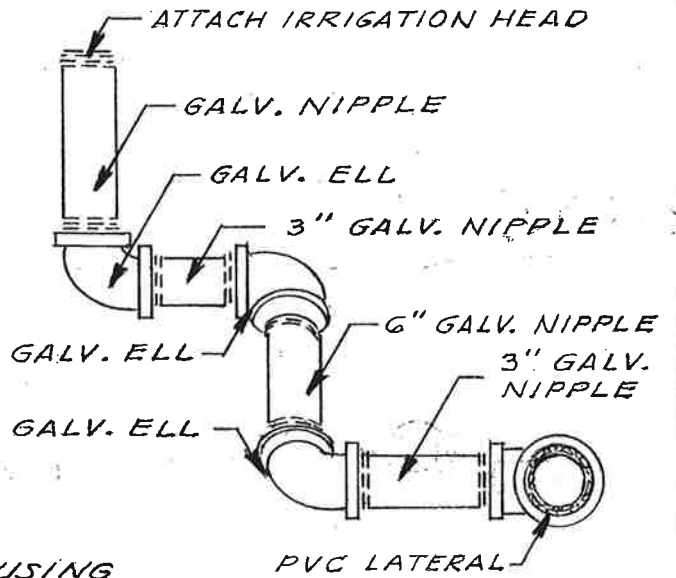
<p style="text-align: center;">APPROVED BY</p> <p style="text-align: center;">ENGINEERING OPERATIONS MANAGER KYLE TWOHIG</p> <p style="text-align: center;">PRINCIPAL ENGINEER, CONST. KENNETH M. BROWN, P.E.</p>	<p>ADOPTED: 2/1986 REVISED: 05/2015 SUPERSEDES: 04/2012 CHECKED BY: SJS SCALE: NTS REVISED BY: MLD</p>	<p>SHRUB PLANTING DETAILS ALL TYPES, FORMS AND SPECIES</p> <p>ENGINEERING SERVICES CITY OF SPOKANE, WASHINGTON</p>	<p>STANDARD PLAN No. V-102</p>
---	---	---	---

NOTE: STREET ELBOWS AND CLOSE NIPPLES WILL NOT BE ALLOWED.

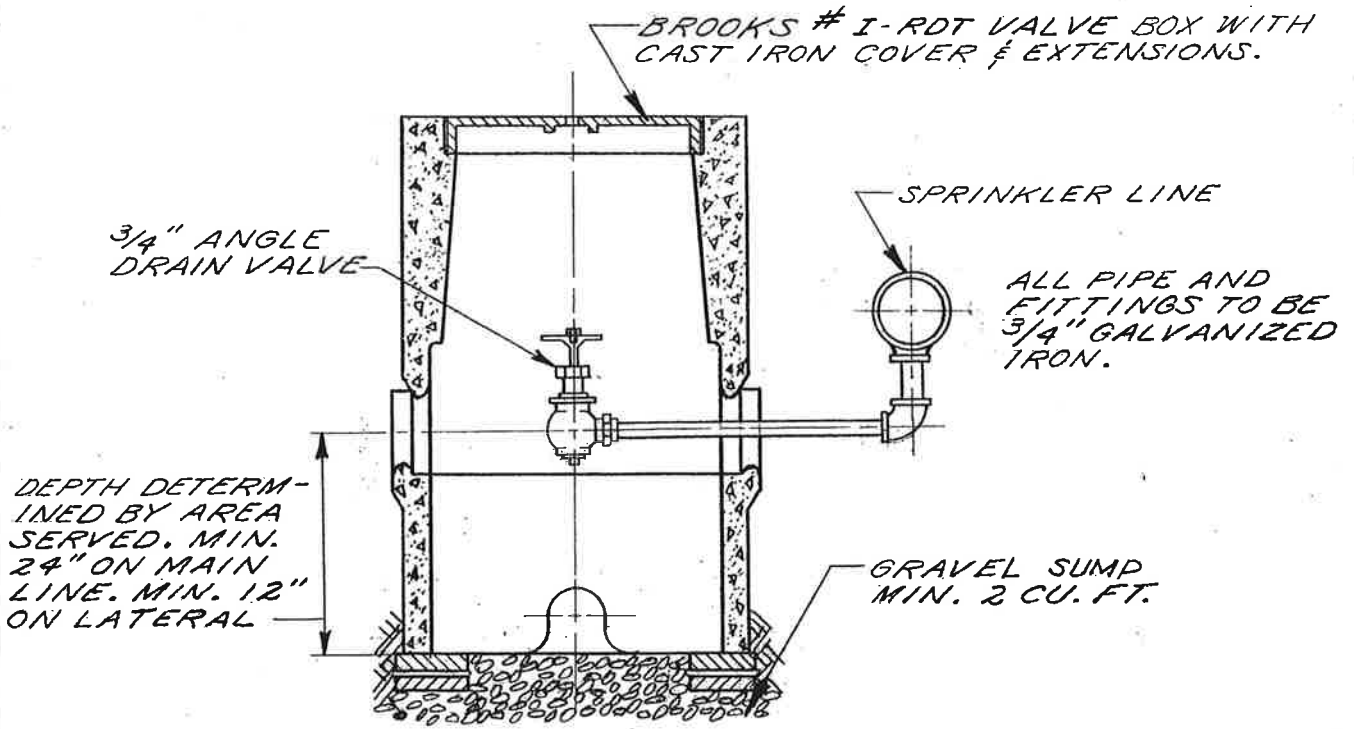


ALL RISERS TO BE MADE UP USING 1/2" GALVANIZED PIPE AND FITTINGS

POP-UP SPRINKLER DETAIL



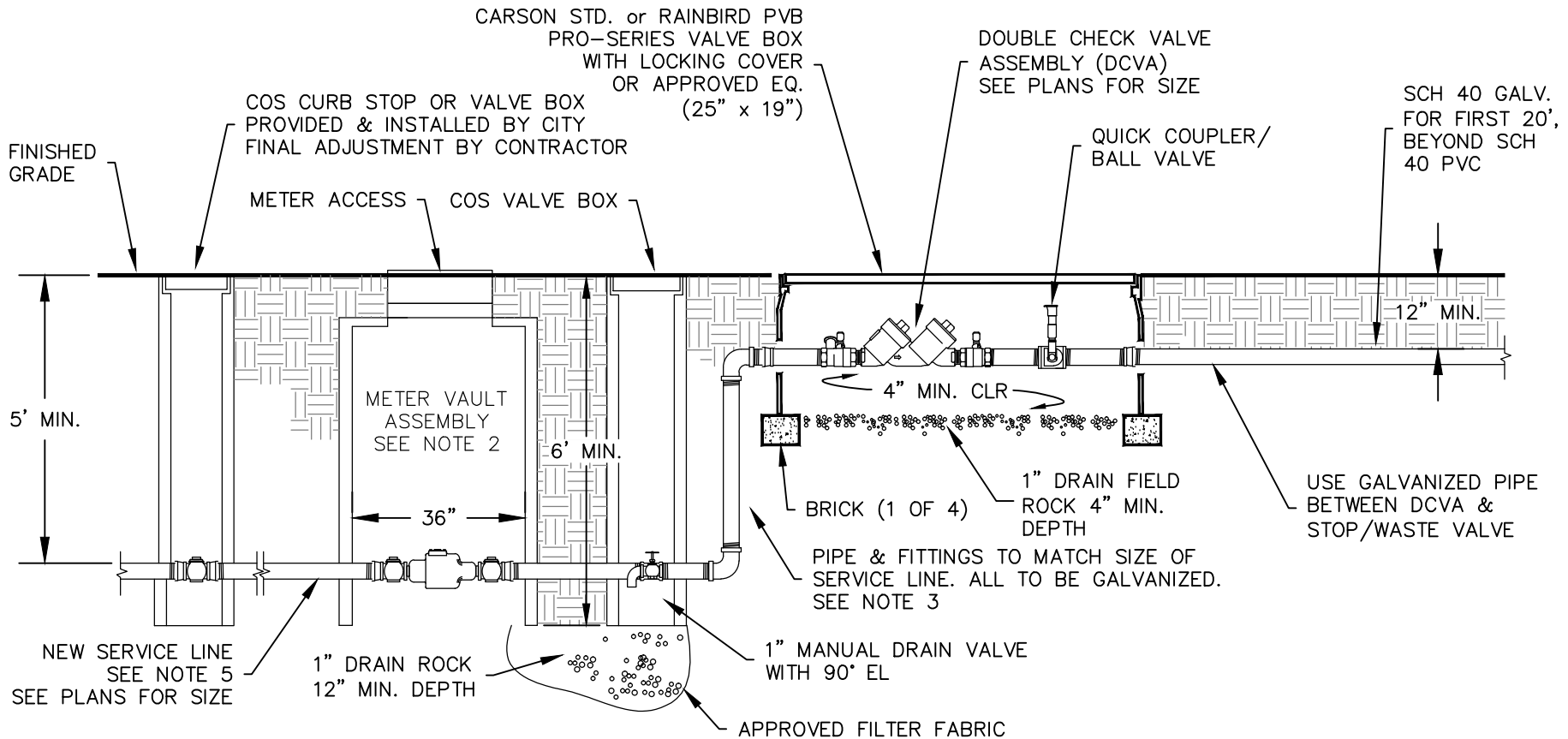
TRIPLE SWING JOINTS



DEPTH DETERMINED BY AREA SERVED. MIN. 24" ON MAIN LINE. MIN. 12" ON LATERAL

DRAIN VALVE DETAIL

APPROVED BY	SCALE <u>NONE</u>	IRRIGATION SYSTEM DETAILS	
CITY ENGR. <i>Bea & Son</i>	ADOPTED <u>2-86</u>	DEPT. OF PUBLIC WORKS	STANDARD PLAN No. V-103
CH. DES. ENGR. <i>Samuel</i>	REVISED -----		



NOTES:

1. CONTRACTOR IS TO PROVIDE ALL EXCAVATION AND BACKFILL FOR CITY FORCES TO SUPPLY AND INSTALL, UPON PAYMENT OF FEES, THE TAPPING SADDLE, CORP STOP, SERVICE LINE, CURB STOP, METER VAULT, METER & ISOLATION VALVES INSIDE METER VAULT. TRENCH EXCAVATION AND BACKFILL PAID UNDER BID ITEM TRENCH EXCAVATION FOR WATER SERVICE TAP.
2. CONTRACTOR IS FULLY RESPONSIBLE FOR FURNISHING AND INSTALLING ALL PIPE & FITTINGS DOWNSTREAM OF THE METER VAULT.
3. ALL PIPE & FITTINGS DOWNSTREAM OF THE METER TO THE MAINLINE TO BE GALVANIZED SCH. 40.
4. CITY TO SUPPLY AND INSTALL PRV INSIDE OF METER VAULT WHERE PRESSURES EXCEED 80 PSI.
5. SEE IRRIGATION DESIGN GUIDELINES FOR ADDITIONAL INSTALLATION INFORMATION.

<p>APPROVED BY</p> <p>ENGINEERING SERVICES DIRECTOR KYLE TWOHIG</p>	<p>ADOPTED: _____</p> <p>REVISED: <u>08/2019</u></p> <p>SUPERSEDES: <u>01/2017</u></p> <p>CHECKED BY: <u>DAB</u></p> <p>SCALE: <u>NTS</u></p> <p>DWG/REV. BY: <u>RJS/MLD</u></p>	<p>2" AND SMALLER METER/BACKFLOW ASSEMBLY FOR IRRIGATION SYSTEMS</p>
<p>CITY ENGINEER DAN BULLER, P.E.</p>	<p>ENGINEERING SERVICES CITY OF SPOKANE, WASHINGTON</p>	<p>STANDARD PLAN No. V-104</p>